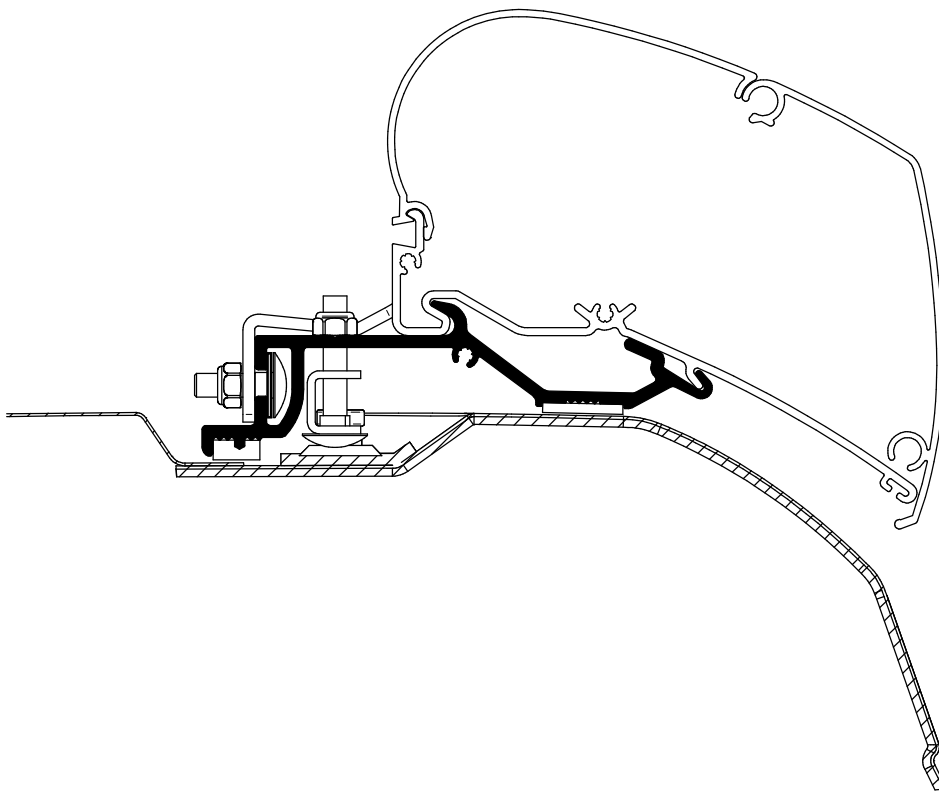
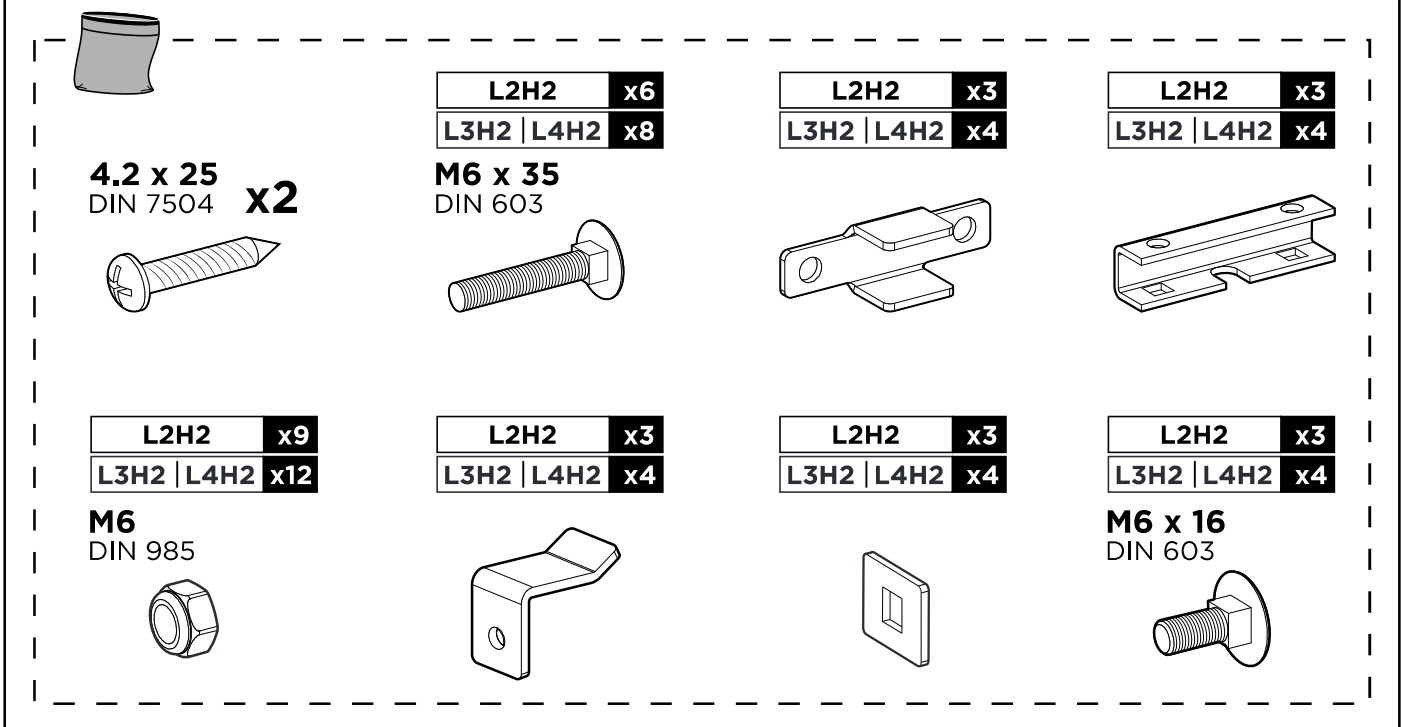
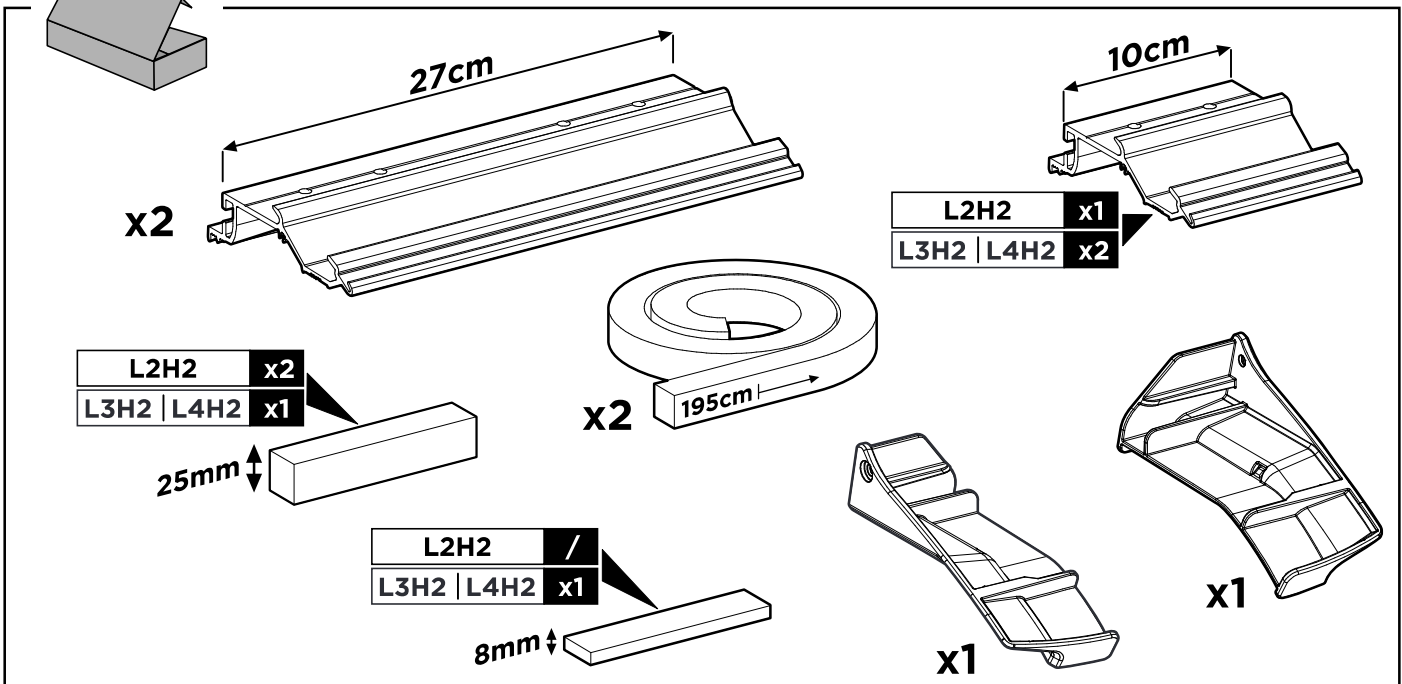
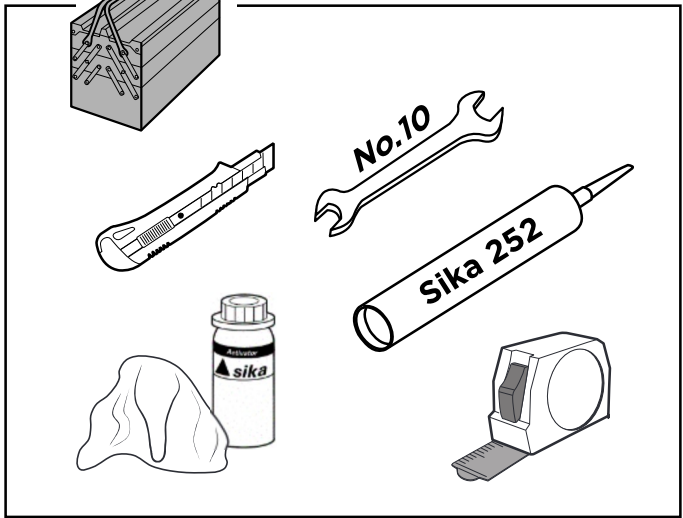
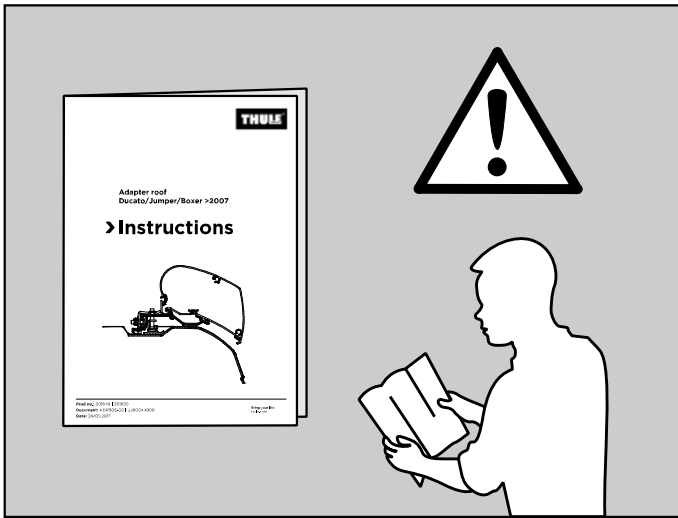


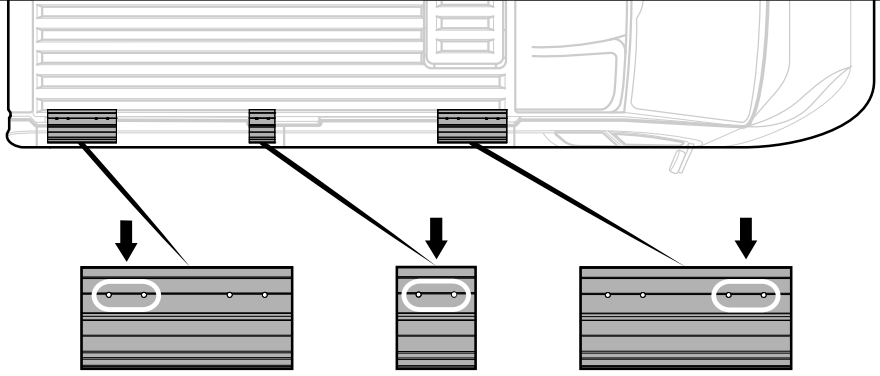
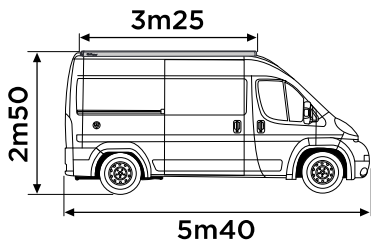
**Adapter roof  
Ducato/Jumper/Boxer >2007**

# ➤ Instructions

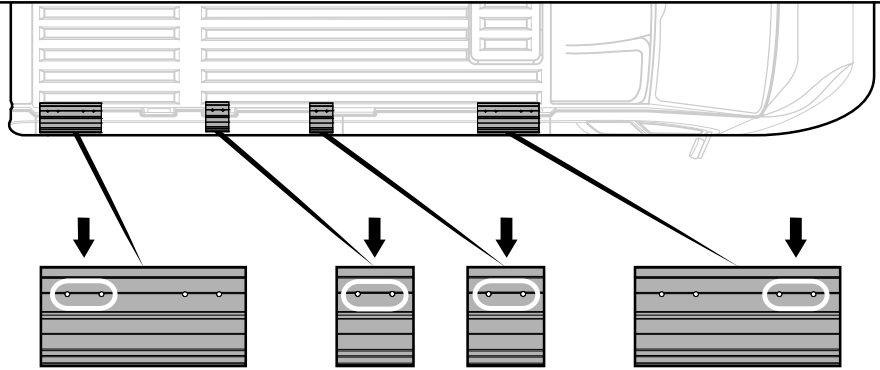
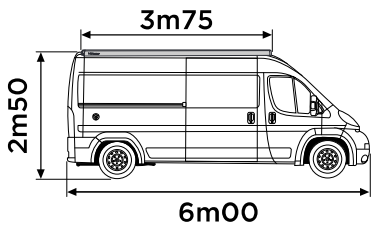




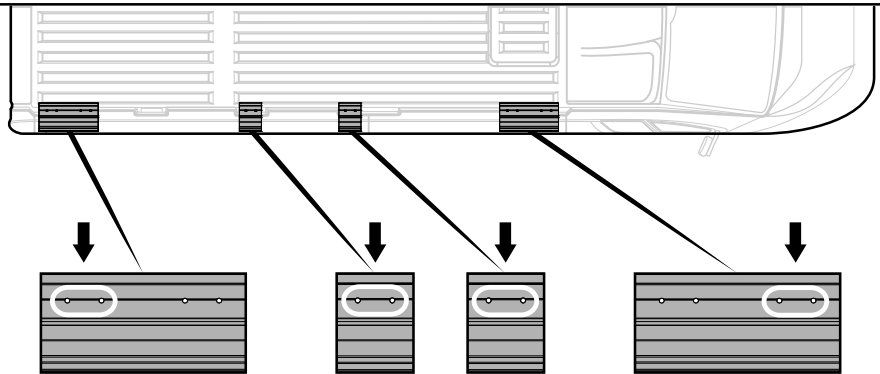
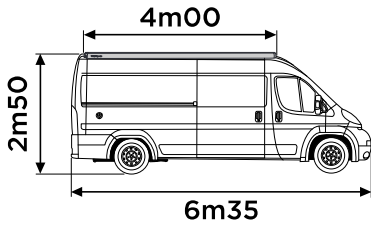
**L2H2**

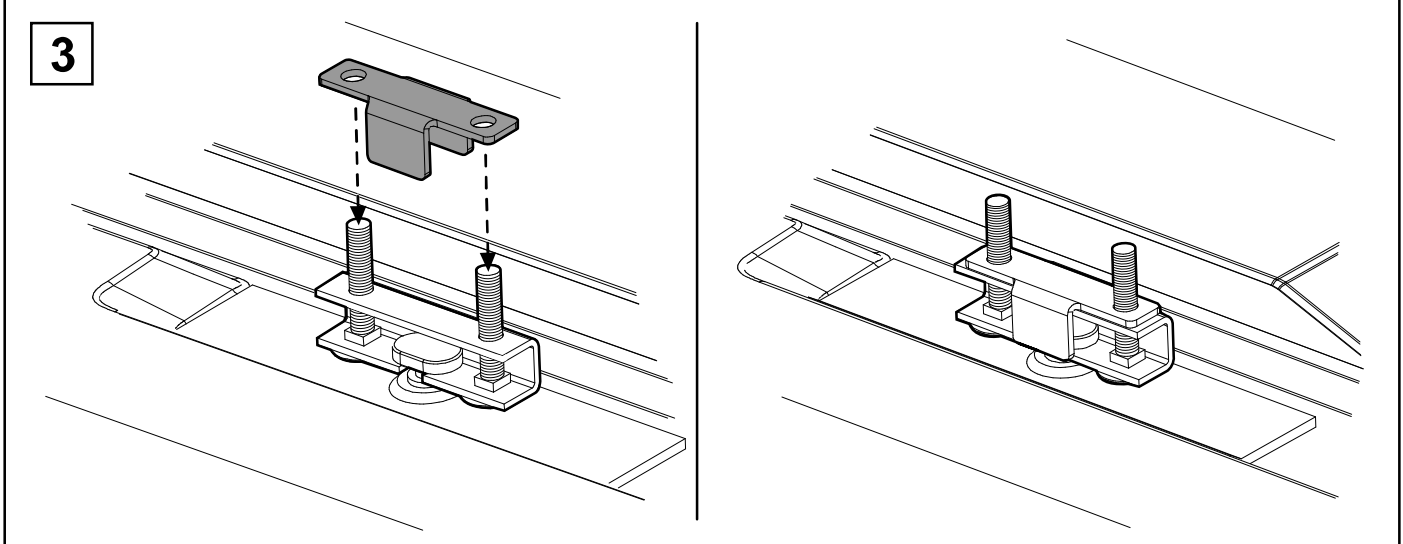
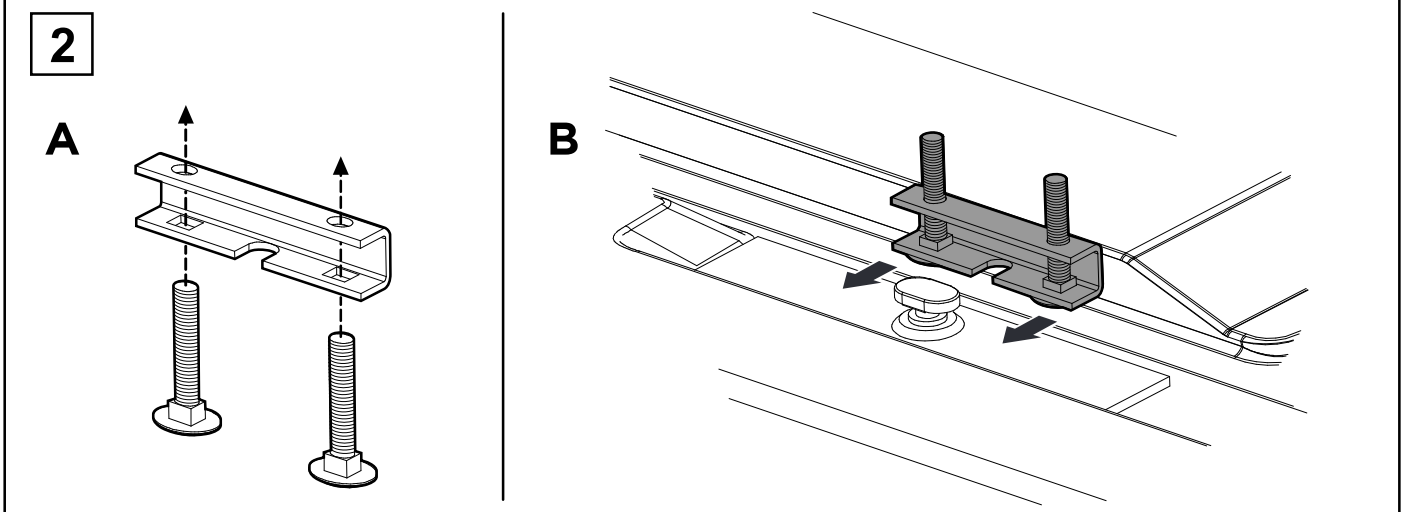
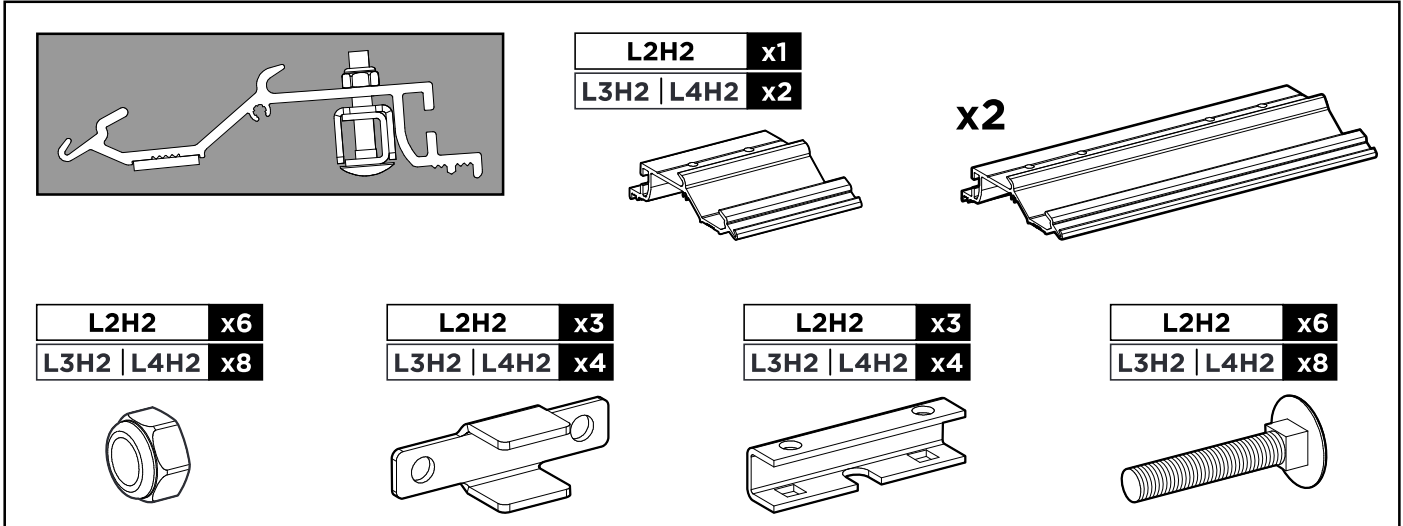
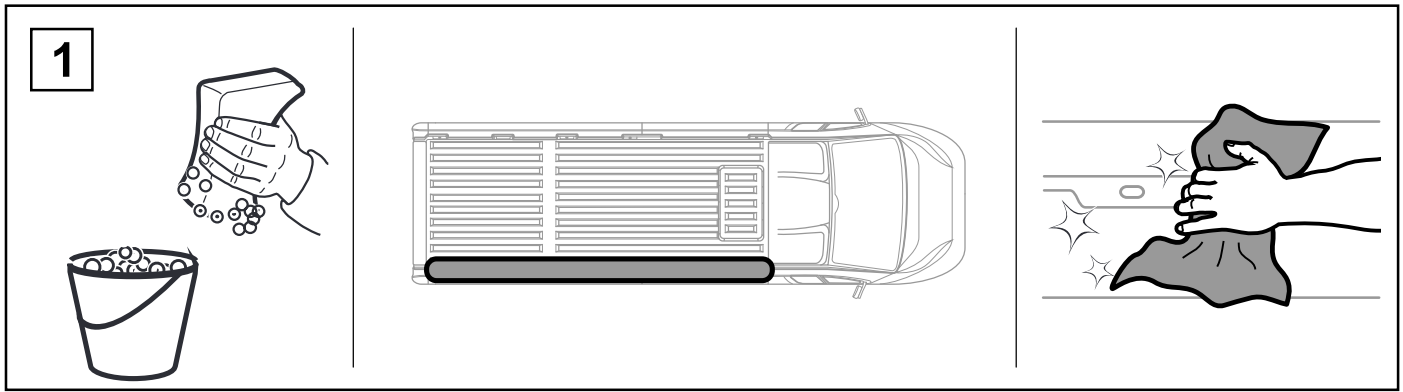


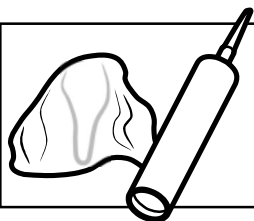
**L3H2**



**L4H2**



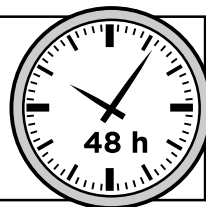




**Glue / Lijmen / Verklebung:**

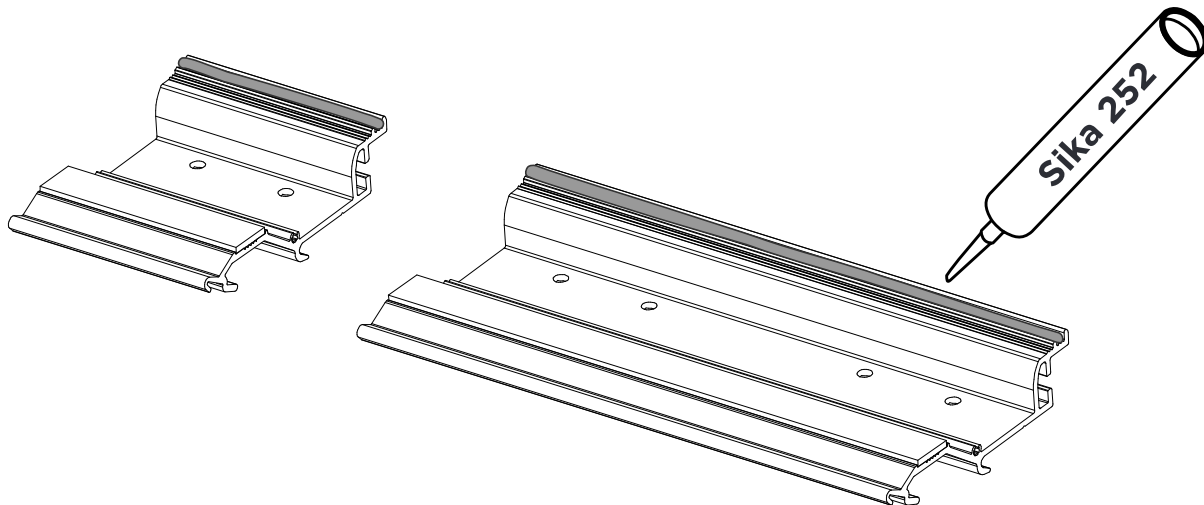
Thule recommends / beveelt aan / empfiehlt: **SIKA 252 or Terostat MS937**

Primern und Abdichtung nach Anweisung des Dichtmittelherstellers.  
Voorbehandeling en afdichting volgens de voorschriften van de lijmfabrikant.  
Preparation and sealing according to the prescripts of the glue supplier.

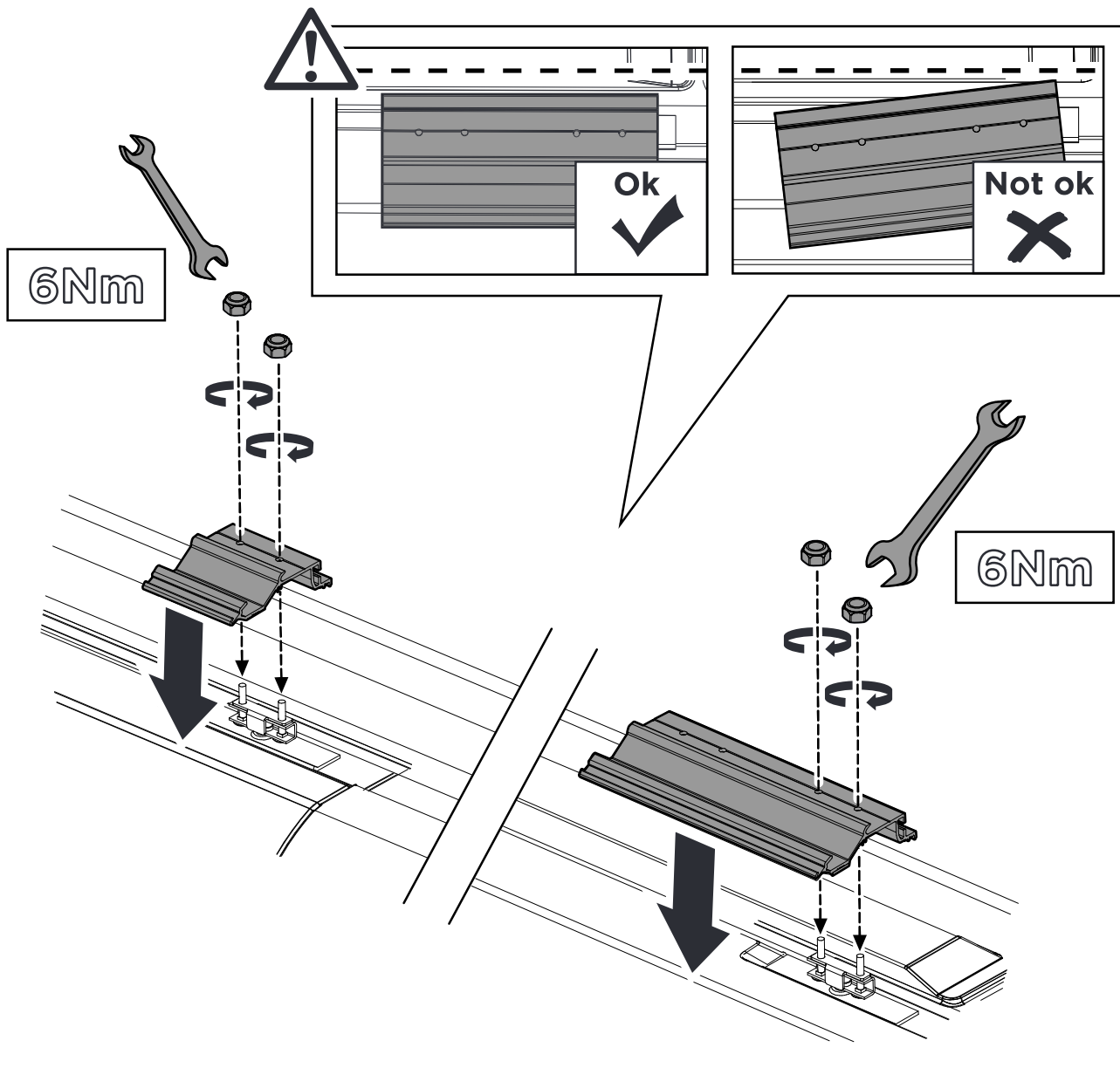


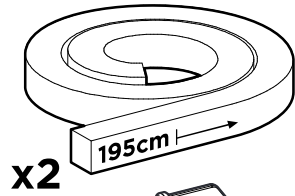
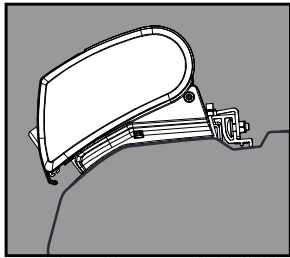
**4**

**A**

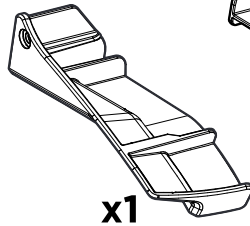


**B**

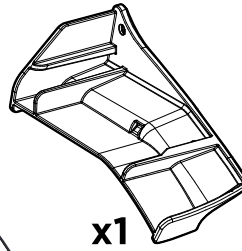




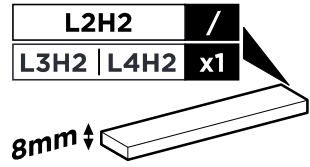
x2



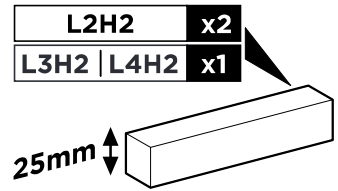
x1



x1

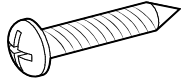


8mm



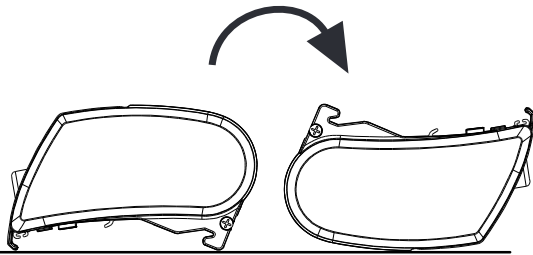
25mm

x2 4.2 x 25  
DIN 7504

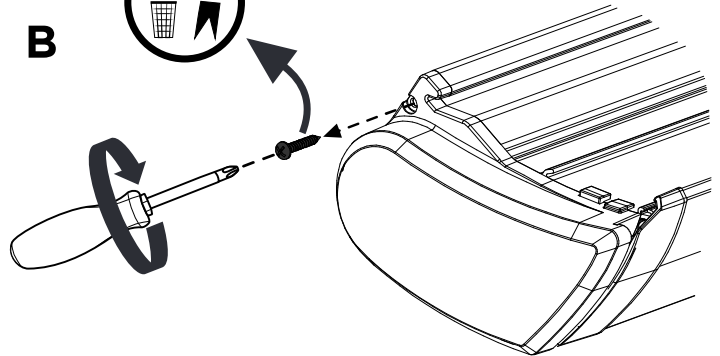


1

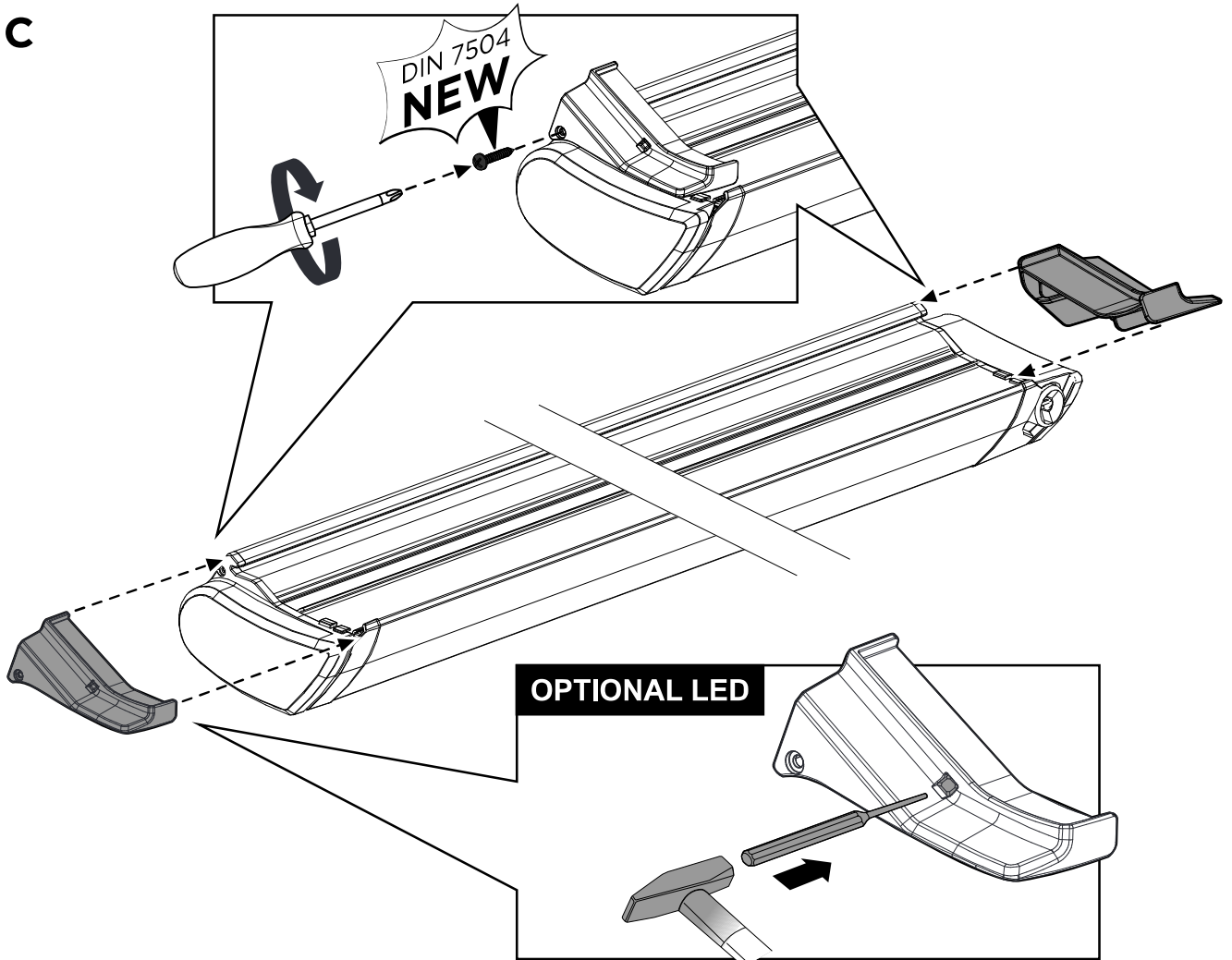
A



B



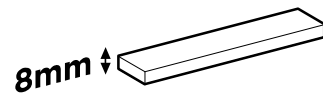
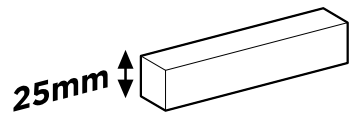
C



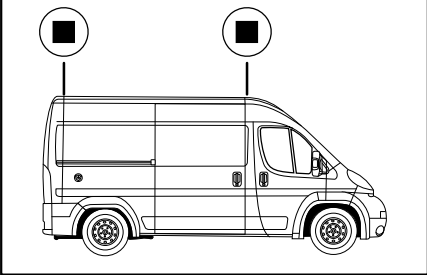
**i**

■	L2H2	x2
	L3H2   L4H2	x1

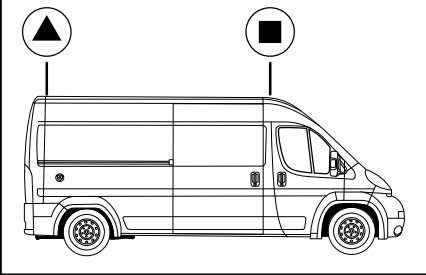
▲	L2H2	/
	L3H2   L4H2	x1



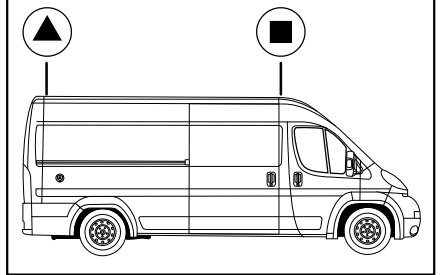
**L2H2**



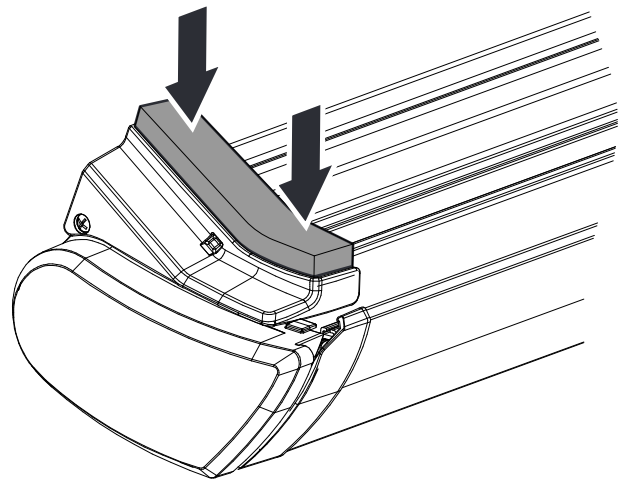
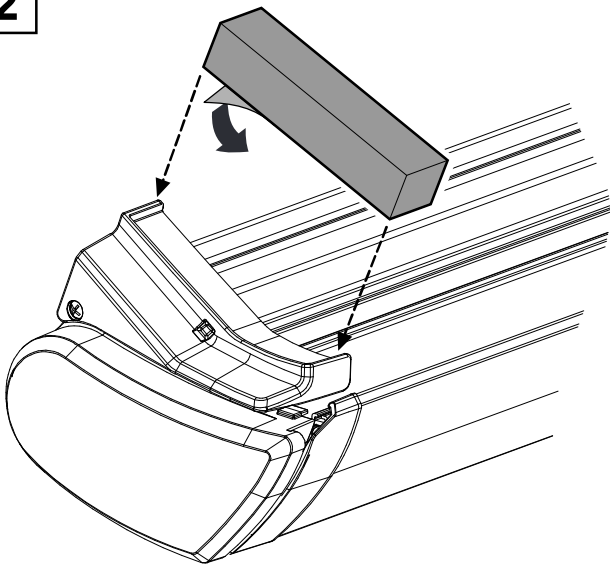
**L3H2**



**L4H2**

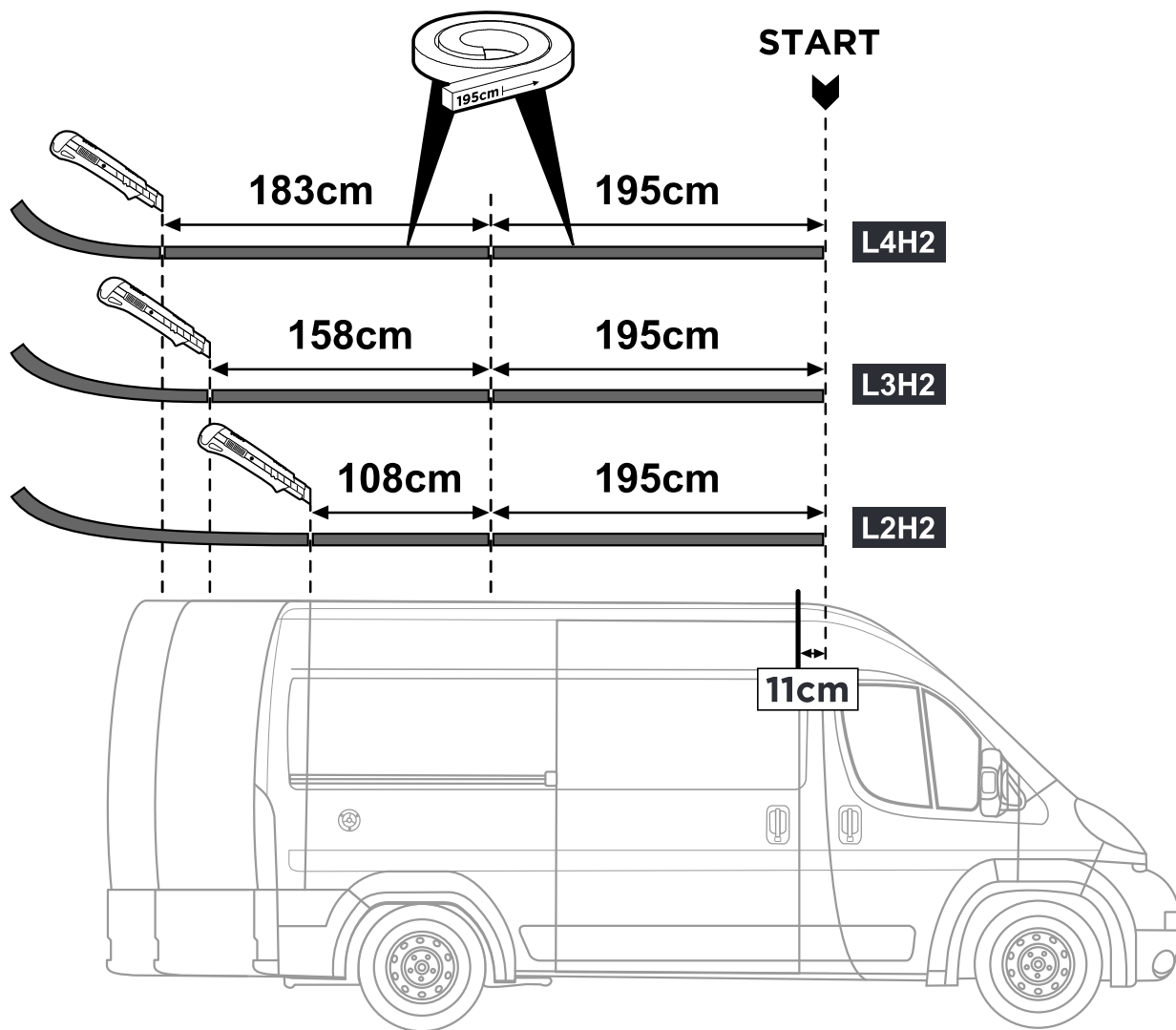


**2**

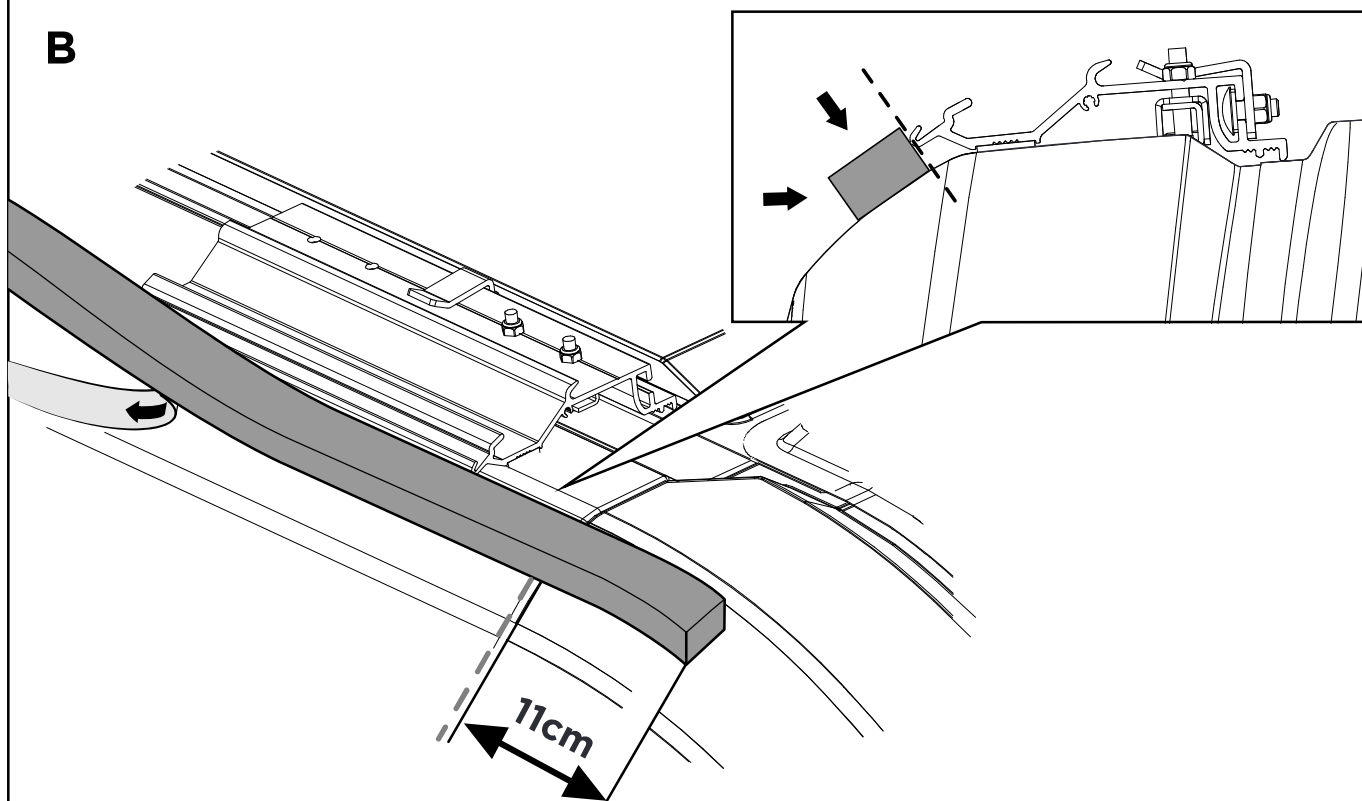


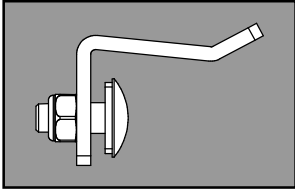
3

A



B

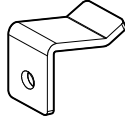




L2H2 x3  
L3H2 | L4H2 x4



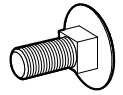
L2H2 x3  
L3H2 | L4H2 x4



L2H2 x3  
L3H2 | L4H2 x4

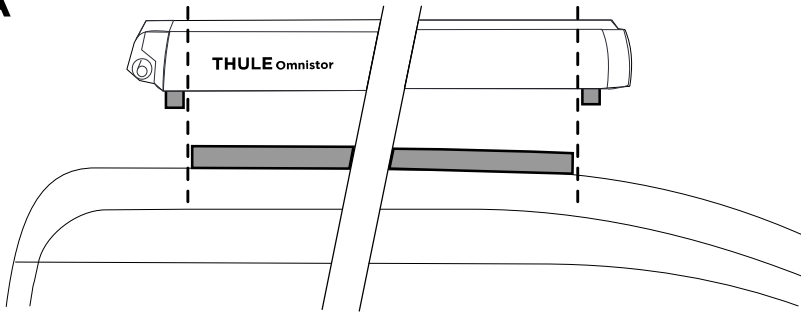


L2H2 x3  
L3H2 | L4H2 x4

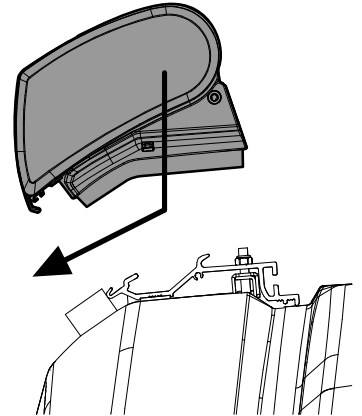


1

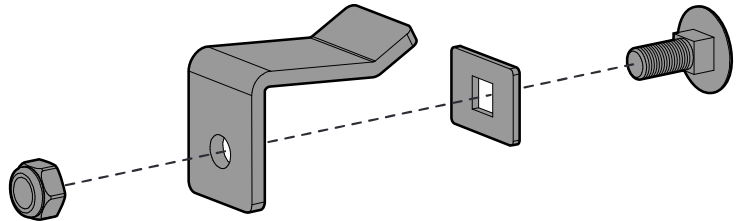
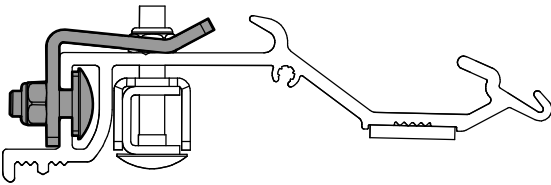
A



B



2



3

